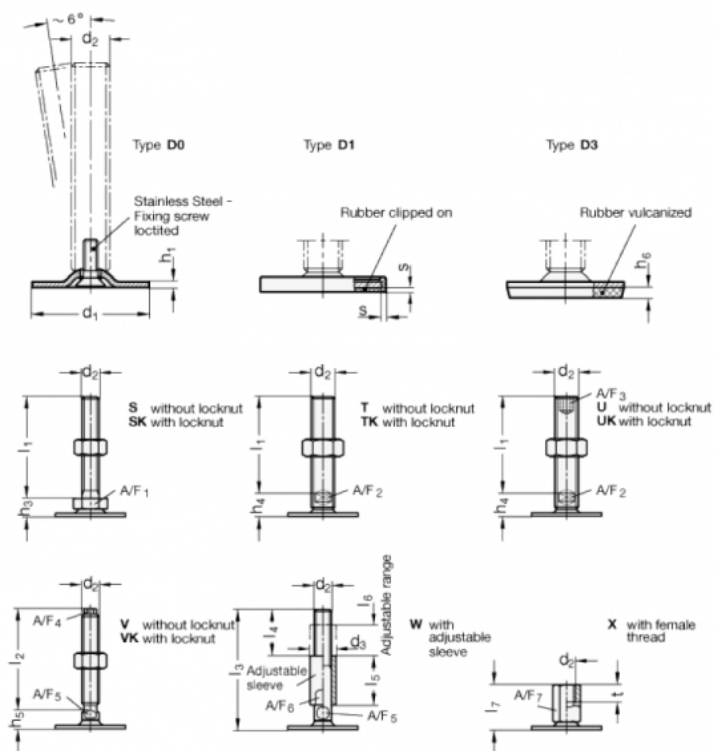


Article number: 204150M12125D1SK
 Description: E+G levelling foot
 GN 41-50-M12-125-D1-SK
 Note: SK With nut, External hexagon at the bottom

Measures



A/F1 = 17
 d1 = 50
 d2 = M12
 h1 = 2.5
 h3 = 11
 h6 =
 l1 = 125
 s = 2